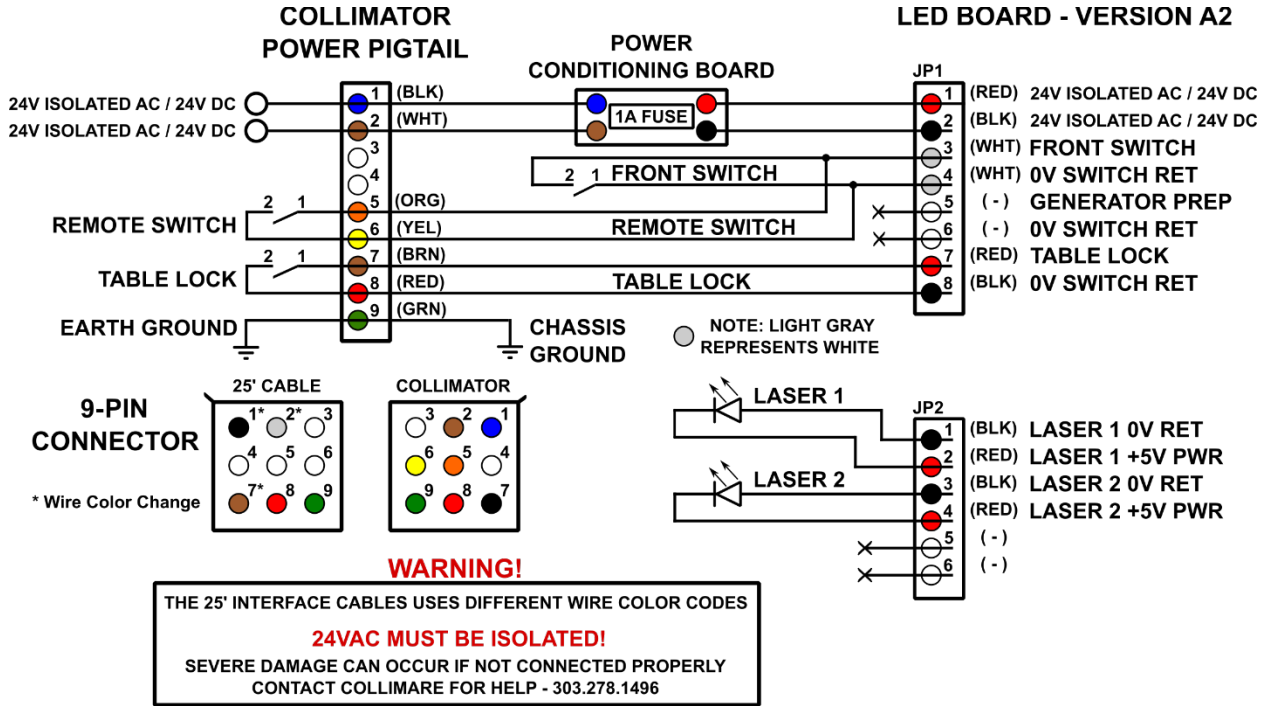




## COLLIMATOR WIRING DIAGRAM – LED BOARD VERSION A

### 4.4.5 Collimator 9-Pin Connector Wiring Diagram – LED Board Version A2



### 4.4.6 Collimator 3-Wire Power Cord Wiring Diagram – LED Board Version A1

