

COLLIMATOR WIRING SCHEDULE

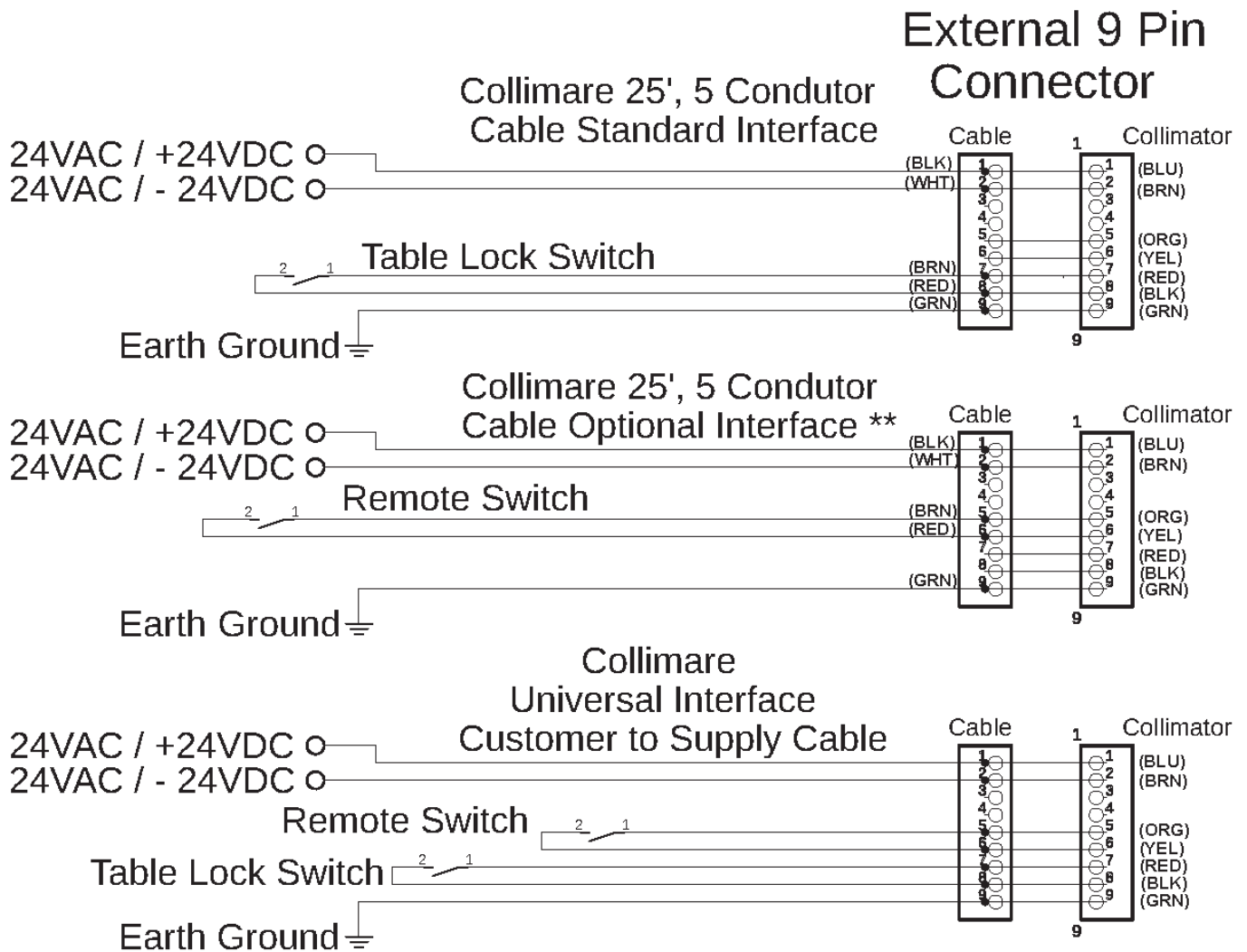


Figure 12 - Collimator Wiring Schedule

4.4.5 Collimator 25' Power Interface Cable Wiring Schedule

CAUTION! The 25' Interface Cable Uses Different Wire Color Codes.

Table Lock Switch Function:

Light Field/Lasers come on and self-timeout after the default on time or they can be turned off immediately by pressing the Front Button.

Remote Switch Function:

Light Field/Lasers come on with a switch press and turn off with a switch press. Remote Switch mimics the collimator Front Button and functions.

Switching From Table Lock Function to Remote Switch Function:

Remove the Red (Pin 8) and Brown (Pin 7) wire pins from the 25' cable 9 pin connector and insert them into Pin 5 and Pin 6. The Orange wire on the collimator harness will now be wired to the Brown wire on the 25' cable. The Yellow wire on the collimator harness will now be wired to the Red wire on the 25' cable.

WARNING!

24VAC & 0VAC must be an isolated AC supply or damage will occur to the unit. Always measure the incoming 24VAC and 0VAC to ground for confirmation. Both the 24VAC and 0VAC should measure a voltage above ground. If unsure, contact Collimare for assistance. (303) 278-1496