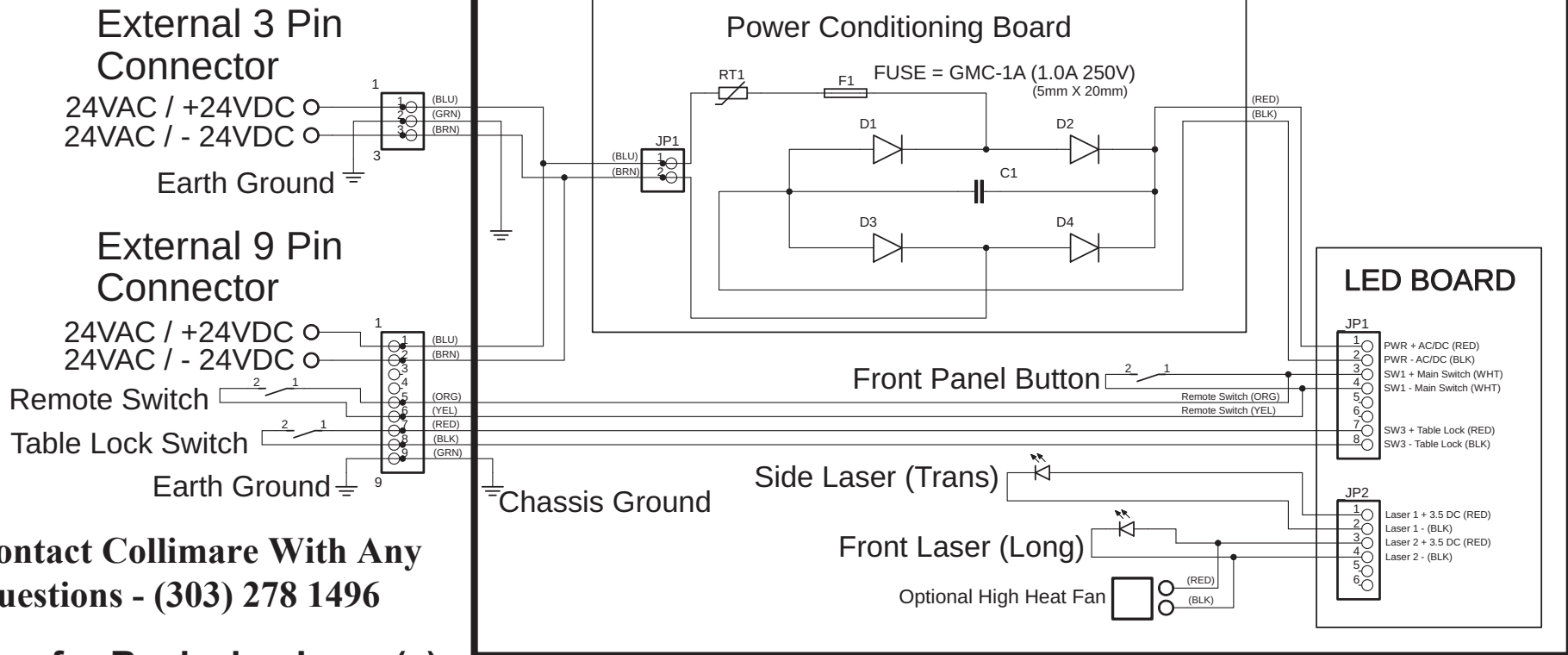


Laser Replacement

CML-150/125 Wiring Diagram

02/14/2020 Rev 1A



Contact Collimare With Any Questions - (303) 278 1496

Steps for Replacing Laser(s):

1. Locate the two wires that lead to the laser being replaced
2. Free the two wires from the collimator by removing the LED board from the back of the chassis and unscrewing the two laser wires from the 6 pin connector.
3. Cut any zip ties that are holding the two freed laser wires to the chassis
4. Unscrew the two screws that are holding the entire laser assembly to the chassis, then remove the old assembly.
5. Replace with the new laser assembly.
6. Rewire and zip tie the new laser wires through the same holes/path the old ones were removed from.
7. Rewire the two new wires into the same pins they were removed from. This is important! They have to be wired with red going into LSR + and black going into LSR - on the 6 pin connector. Do not wire the wires into DC+/- (pins 5, 6). Refer to figure above.