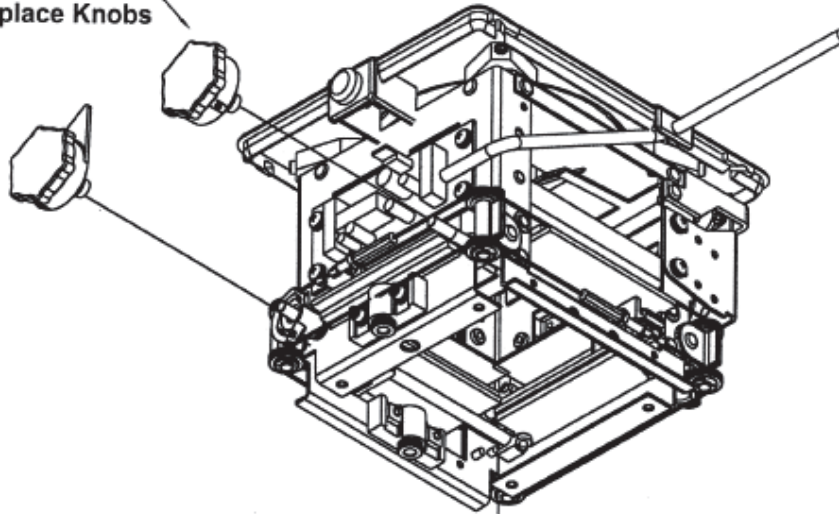
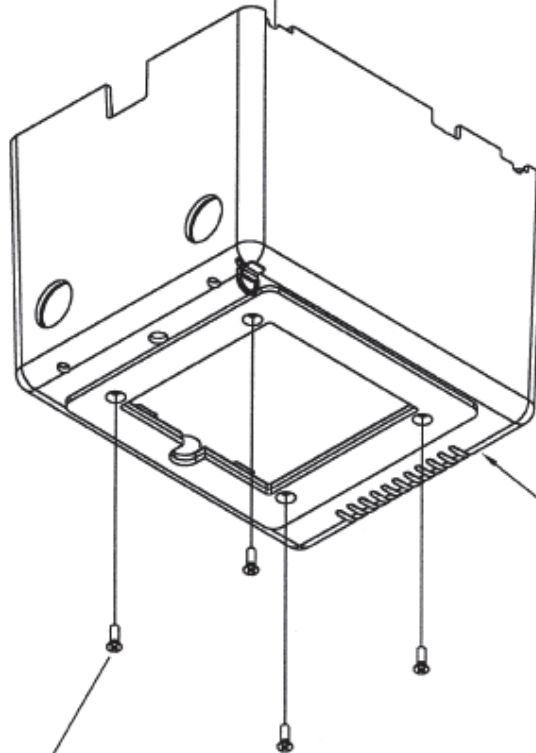


## HOUSING REMOVAL

No. 1  
Follow Instructions In  
Previous Illustration To  
Remove & Replace Knobs



No. 2  
Remove 8-32 Screws  
To Drop Housing  
From Top Plate.



No. 3  
The CM Housing Is A  
Close Fit. Use Caution  
As You Remove The  
Housing To Clear Internal  
Mechanisms.

Figure 6 - Housing Removal