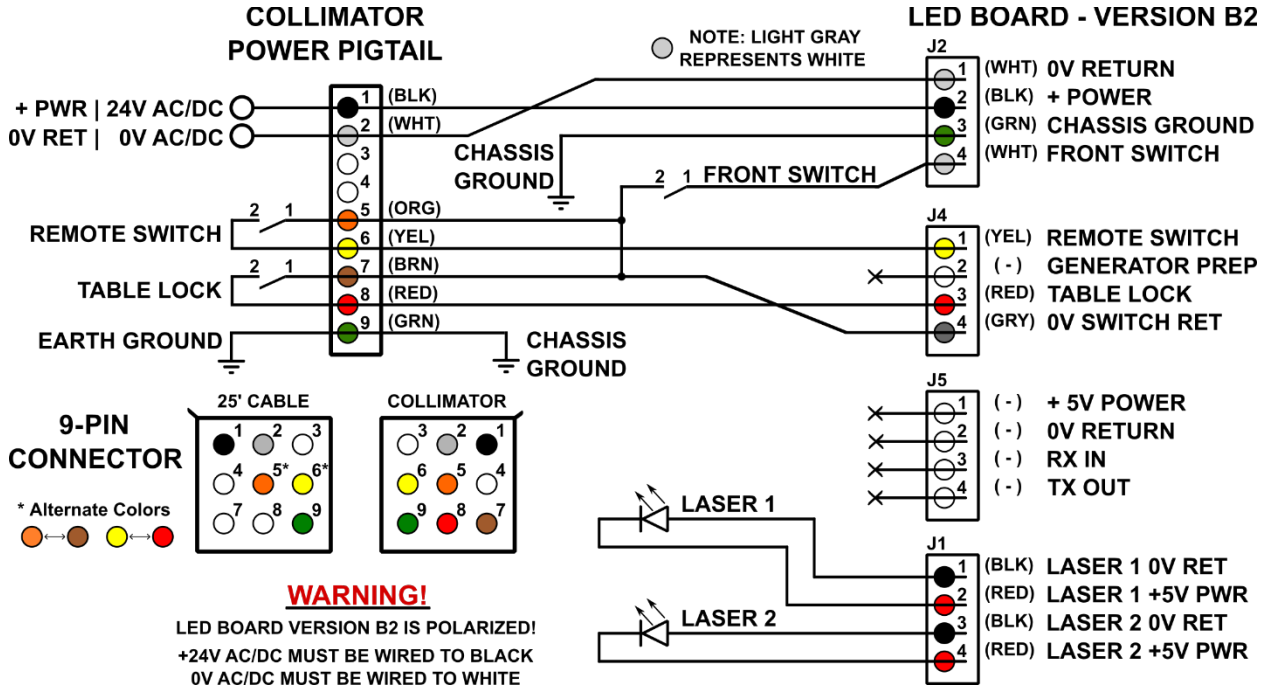




COLLIMATOR WIRING DIAGRAM – LED BOARD VERSION B

4.4.5 Collimator 9-Pin Connector Wiring Diagram – LED Board Version B2



4.4.6 Collimator 3-Wire Power Cord Wiring Diagram – LED Board Version B1

