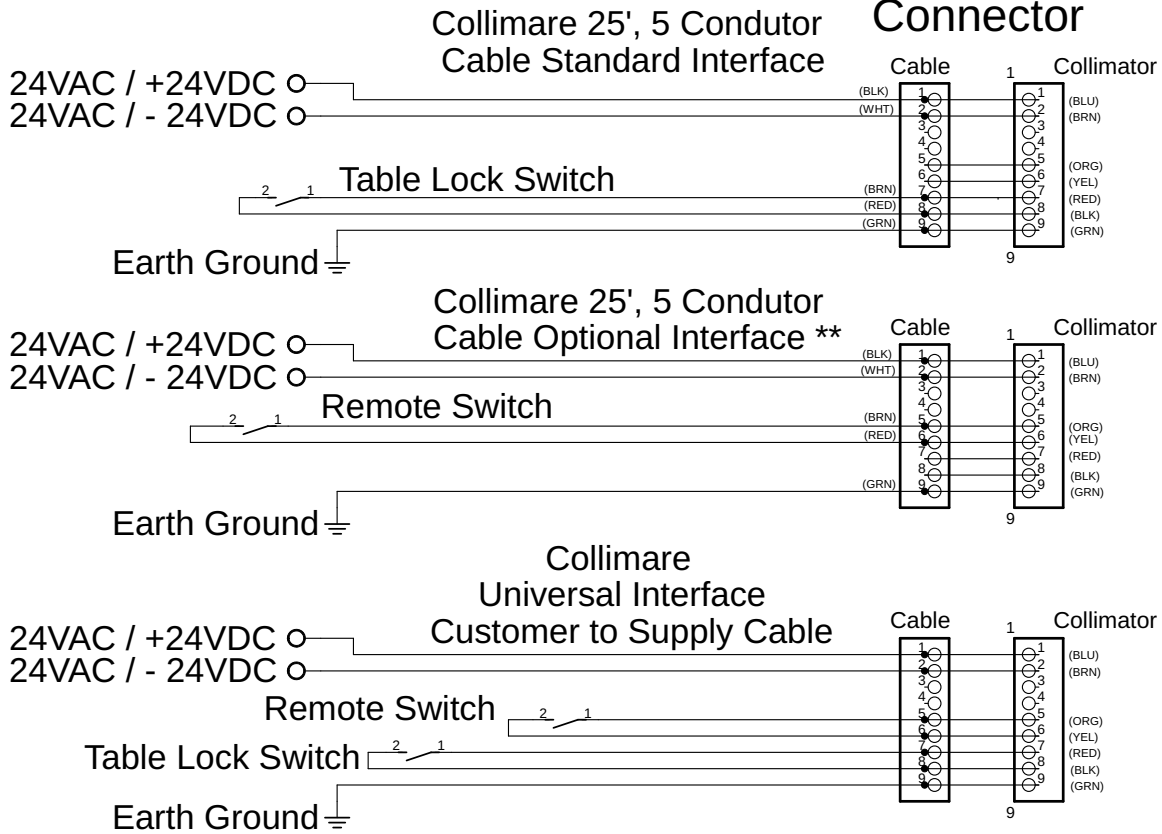


# CML-150/125 Wiring Schedule

## External 9 Pin Connector



**CAUTION!** The 25' Interface Cable Uses Different Wire Color Codes.

Table Lock Switch Function: Light Field and Lasers come on and self-timeout after the default time or they can be turned off immediately by pressing the Lamp Button.

Remote Switch Function: Light Field and Lasers come on with a switch press and turn off with a switch press. Switch mimics the Collimator Lamp Button and Functions.

\*\* To Switch From The Table Lock Switch To The Remote Switch: In the 25' cable 9 pin connector remove the Brown and Red wire pins from Pin 7 and Pin 8 and insert them into Pin 5 and Pin 6. Orange wire on the collimator harness wired to the Brown wire on the 25' cable. Yellow wire on the collimator harness wired to the Red wire on the 25' cable.

## WARNING:

24VAC & 0VAC must be an isolated AC supply or damage will occur to the unit. Always measure the incoming 24VAC and 0VAC to ground for confirmation. Both the 24VAC and 0VAC should measure a voltage above ground. If you are unsure contact Collimare for assistance. (303) 278-1496