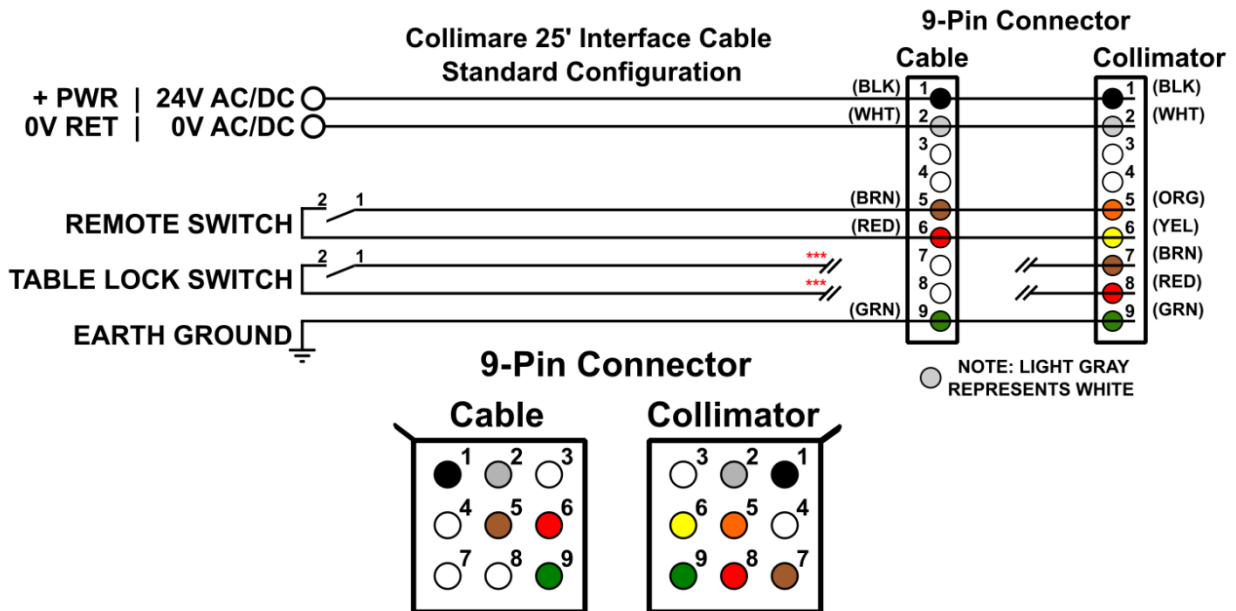




LED Board Version B Pinout Schematic

9 Pin Connector	Function	Collimator Pigtail Wire Color	25' Interface Cable Wire Color
Pin 1	+ PWR 24V AC/DC	BLACK	BLACK
Pin 2	0V RET 0V AC/DC	WHITE	WHITE
Pin 3	-	-	-
Pin 4	-	-	-
Pin 5	REMOTE SWITCH	ORANGE	BROWN
Pin 6	REMOTE SWITCH	YELLOW	RED
Pin 7	TABLE LOCK SWITCH	BROWN	***
Pin 8	TABLE LOCK SWITCH	RED	***
Pin 9	EARTH GROUND	GREEN	GREEN

*** Table Lock: Remove Pins 5 and 6 from the connector and insert them into Pins 7 and 8. Polarity does not matter for the switch wires.



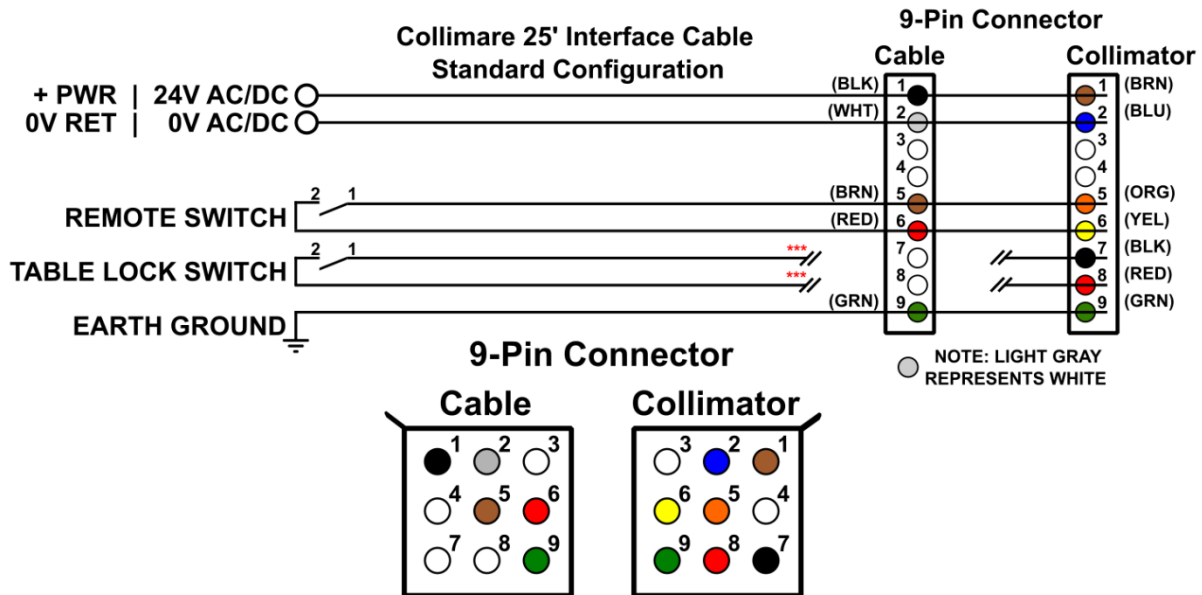
*** Table Lock: Remove Pins 5 and 6 from the connector and insert them into Pins 7 and 8. Polarity does not matter for the switch wires.



LED Board Version B Alternate Pinout Schematic

9 Pin Connector	Function	Collimator Pigtail Wire Color	25' Interface Cable Wire Color
Pin 1	+ PWR 24V AC/DC	BROWN	BLACK
Pin 2	0V RET 0V AC/DC	BLUE	WHITE
Pin 3	-	-	-
Pin 4	-	-	-
Pin 5	REMOTE SWITCH	ORANGE	BROWN
Pin 6	REMOTE SWITCH	YELLOW	RED
Pin 7	TABLE LOCK SWITCH	BLACK	***
Pin 8	TABLE LOCK SWITCH	RED	***
Pin 9	EARTH GROUND	GREEN	GREEN

*** Table Lock: Remove Pins 5 and 6 from the connector and insert them into Pins 7 and 8. Polarity does not matter for the switch wires.



*** Table Lock: Remove Pins 5 and 6 from the connector and insert them into Pins 7 and 8. Polarity does not matter for the switch wires.